

PLEASE CHECK WWW.MOLEX.COM FOR LATEST PART INFORMATION

Part Number: **0391001004**
Status: **Active**
Description: 10.00mm (.394") Pitch Beau™ Eurostyle™ Two-Screw Terminal Strips, 4 Circuits

Documents:

[3D Model](#) [RoHS Certificate of Compliance \(PDF\)](#)
[Drawing \(PDF\)](#)

Agency Certification

CSA 25562
 UL E82573

General

Product Family Terminal Blocks
 Series 39100
 Application Wire-to-Wire
 Component Type One Piece
 MolexKits Yes
 Product Literature Order No USA-303
 Product Name Eurostyle™Two Screw
 Type Euro Block

Physical

Circuits (Loaded) 4
 Entry Angle Horizontal
 Flammability 94V-2
 Lock to Mating Part None
 Number of Rows 2
 Orientation Vertical
 PCB Retention Yes
 Panel Mount Mounting Holes Between Circuit
 Pitch - Mating Interface (in) 0.394 In
 Pitch - Mating Interface (mm) 10.00 mm
 Pitch - Term. Interface (in) 0.315 In
 Pitch - Term. Interface (mm) 8.00 mm
 Polarized to Mating Part No
 Stackable No
 Temperature Range - Operating 100°C
 Wire Size AWG 10, 12, 14, 16, 18

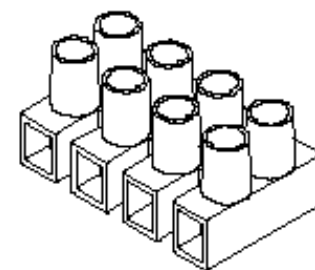
Electrical

Current - Maximum per Contact 30A
 Voltage - Maximum 600V

Material Info

Reference - Drawing Numbers

Sales Drawing SD-39100-004



Series

image - Reference only

EU RoHS

**ELV and RoHS
 Compliant**
REACH SVHC
 Not Reviewed
**Halogen-Free
 Status**
Not Reviewed

China RoHS

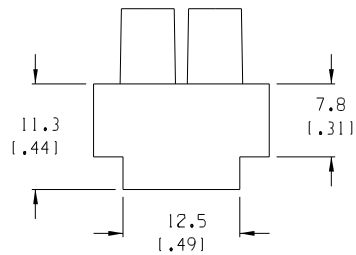
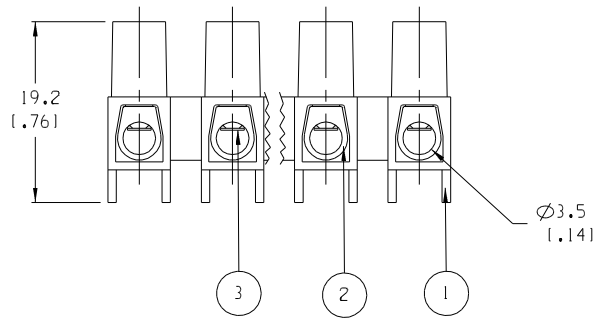
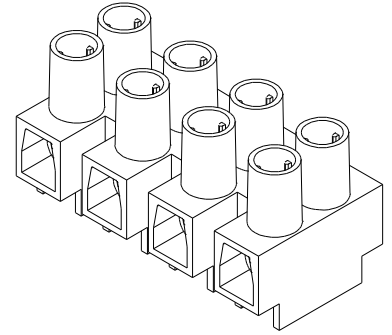
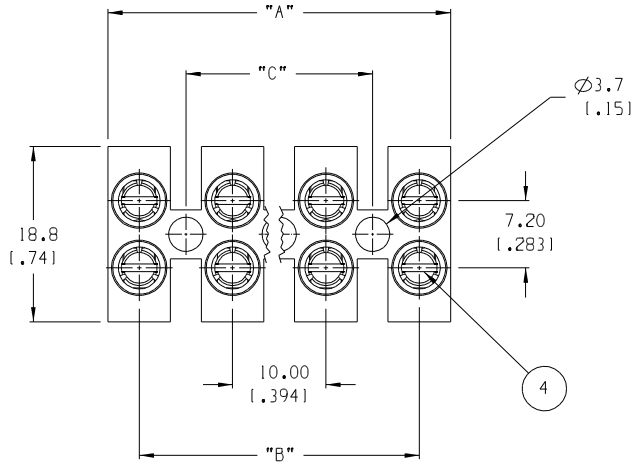


**Need more information on product
 environmental compliance?**

Email productcompliance@molex.com
 For a multiple part number RoHS Certificate of
 Compliance, [click here](#)

Please visit the [Contact Us](#) section for any
 non-product compliance questions.

Search Parts in this Series
 39100Series



| NUMBER OF CIRCUITS | "A" DIM. | "B" DIM. | "C" DIM. | MATERIAL NUMBER |
|--------------------|-----------------|-----------------|-----------------|-----------------|
| 01 | 7,00 [2.761] | N/A | N/A | 391001001 |
| 02 | 17,00 [1.6691] | 10,00 [1.3941] | N/A | 391001002 |
| 03 | 27,00 [1.0631] | 20,00 [1.7871] | 10,00 [1.3941] | 391001003 |
| 04 | 37,00 [1.4571] | 30,00 [1.1811] | 20,00 [1.7871] | 391001004 |
| 05 | 47,00 [1.8501] | 40,00 [1.5751] | 30,00 [1.1811] | 391001005 |
| 06 | 57,00 [2.2441] | 50,00 [1.9691] | 40,00 [1.5751] | 391001006 |
| 07 | 67,00 [2.6381] | 60,00 [2.3621] | 50,00 [1.9691] | 391001007 |
| 08 | 77,00 [3.0311] | 70,00 [2.7561] | 60,00 [2.3621] | 391001008 |
| 09 | 87,00 [3.4251] | 80,00 [3.1501] | 70,00 [2.7561] | 391001009 |
| 10 | 97,00 [3.8191] | 90,00 [3.5431] | 80,00 [3.1501] | 391001010 |
| 11 | 107,00 [4.2131] | 100,00 [3.9371] | 90,00 [3.5431] | 391001011 |
| 12 | 117,00 [4.6061] | 110,00 [4.3311] | 100,00 [3.9371] | 391001012 |

- NOTES:
1. MATERIAL: SEE TABLE
 2. FINISHES: SEE TABLE
 3. PRODUCT SPECIFICATION: NOT REQUIRED
 4. PACKAGING: NOT REQUIRED
 5. MATES WITH: NONE
 6. "XX" REFERS TO THE NUMBER OF CIRCUITS

| ITEM | QTY. | DESCRIPTION | MATERIAL | FINISH |
|------|------|---------------------|----------|--------|
| 4 | XX*2 | CLAMPING SCREWS, M3 | STEEL | ZINC |
| 3 | XX | WIRE PROTECTOR | BRASS | NICKEL |
| 2 | XX | TERMINAL | BRASS | NICKEL |
| 1 | 1 | INSULATOR | NYLON 6 | CLEAR |

| | | | | | | | | |
|--|---|---|--|---|----------------------------|---------------------------|-----------------------------|---------------------|
| EC NO. RELEASED DRWN: JF 09-15-04 CHK: APPR: | QUALITY SYMBOLS MAJOR CRITICAL SPC | GENERAL TOLERANCES: (UNLESS SPECIFIED) mm INCH 4 PLACES ±.0015 3 PLACES ±.038 ±.005 2 PLACES ±.13 ±.01 1 PLACE ±.3 ANGULAR: ±2° DRAFT WHERE APPLICABLE MUST REMAIN WITHIN DIMENSIONS | SCALE 2:1 | DESIGN UNITS <input type="checkbox"/> mm <input checked="" type="checkbox"/> INCH | THIRD ANGLE PROJECTION | PROJECT NO. - | SHT | REV |
| | | | DRAWN BY & DATE J. FARMER 09-15-04 CHECKED BY & DATE APPROVED BY & DATE | TITLE: 10MM HIGH PROFILE WITH WIRE PROTECTOR MOLEX INCORPORATED | CAD FILENAME 39100-10XX | MATERIAL NO. SEE CHART | DRAWING NO. SD-39100-004 | SHEET NO. 1 OF 1 |

THIS DRAWING CONTAINS INFORMATION THAT IS PROPRIETARY TO MOLEX INCORPORATED AND SHOULD NOT BE USED WITHOUT WRITTEN PERMISSION.